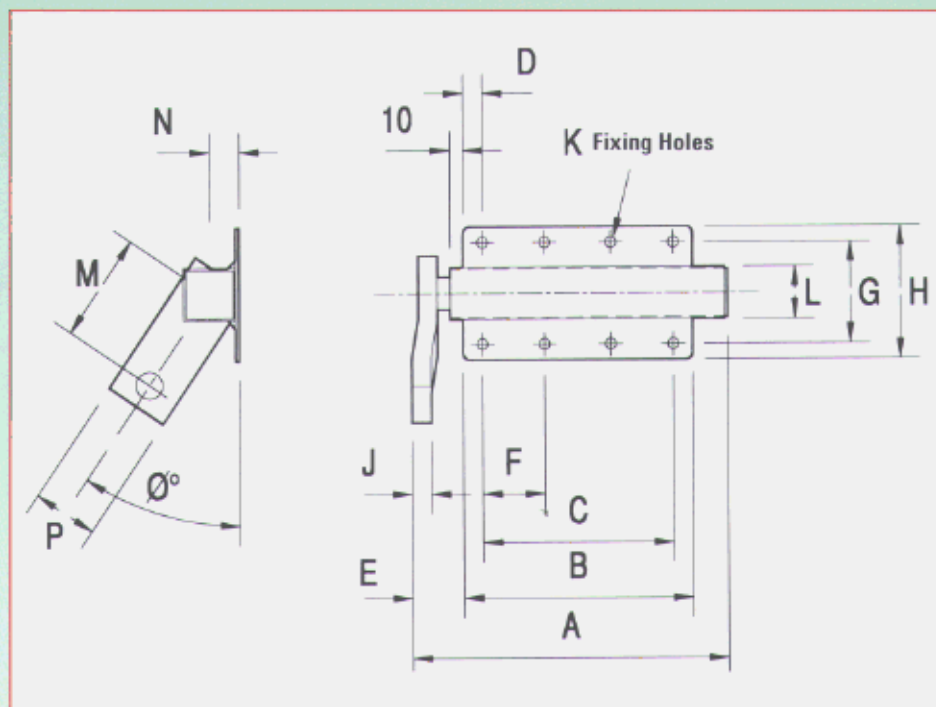


# Peakride Rubber Suspension Units

Weight Range 250 - 1800Kg

Data Sheet Issue 00/01

## Technical Data



Product Code	Capacity per pair kg	Dimensions (mm)														
		A	B	C	D	E	F	G	H	J	K	L	M	N	$\theta^\circ$	P
RU2	250	212	178	152	13	36	76	79	102	15	6 x $\varnothing$ 10	40	76	24	45	50
RU3	350	233	178	152	13	36	76	79	102	15	6 x $\varnothing$ 10	40	76	24	45	50
RU5	500	311	254	228	13	36	76	79	102	15	8 x $\varnothing$ 10	50	76	29	22.5	50
RU6	600	323	254	219	18	46	73	98	127	25	8 x $\varnothing$ 13	60	102	35	22.5	75
RU7	750	372	254	219	18	46	73	98	127	25	8 x $\varnothing$ 13	60	102	35	22.5	75
RU10	1000	375	254	219	18	46	73	98	127	25	8 x $\varnothing$ 13	70	102	40	22.5	75
RU13	1300	375	254	219	18	46	73	98	127	25	8 x $\varnothing$ 13	70	102	40	22.5	75
RU15	1500	405	254	219	18	53	73	98	127	30	8 x $\varnothing$ 13	70	102	40	22.5	90
RU18	1800	431	254	219	18	53	73	98	127	30	8 x $\varnothing$ 13	70	102	40	22.5	90

Notes: Units up to and including 500kg are always supplied with a standard stub axle, unless otherwise specified.  
Units 600kg upwards are always supplied with an extended stub axle, unless otherwise specified.  
Alternative angle set at 45° or horizontal drop arms available upon request.

Peak Trailers Limited reserve the right to alter prices and specifications in line with costs and material availability.

### Peak Trailers Limited

Waterloo Industrial Estate, Waterloo Road, Bidford-on-Avon, Warwickshire, B50 4JH  
Telephone: 01789 778041 Facsimile: 01789 490331 IDD: 44 789  
e-mail: sales@peaktrailers.com Website: www.peaktrailers.com

